

HLC 槓桿油壓缸



Hydraulic lever-type Cylinder

• Bore:ø25-ø63mm • Pmax:70kg/cm²

產品簡介

- 此型式油壓缸，夾持機構為槓桿原理，活塞推出為夾緊狀態，主要機構零件安裝於缸體外部，易於維護。
- 缸體及夾持機構材料均採用機械構造用炭素鋼，堅固耐用，使用壽命長。



Product Introduction

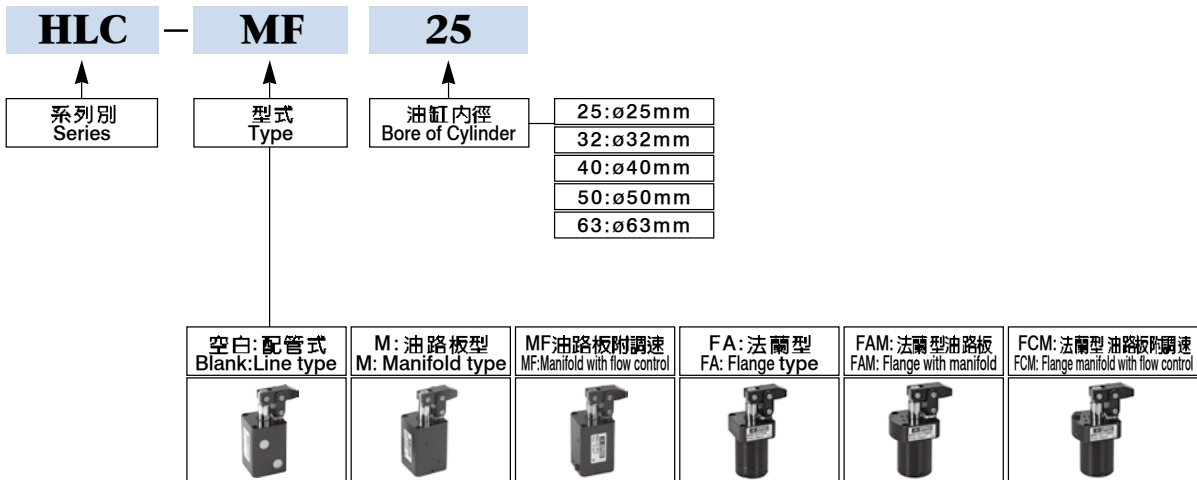
- The clamping mechanism on this series of hydraulic cylinder work with a lever principle. Piston push forward for clamping. It provides greater clamping force than that of swing clamp cylinder. Major parts are mounted outside of the cylinder barrel for convenient maintenance.
- The cylinder barrel and clamping mechanism are manufactured from structural carbon steel for maximum durability and long service life.



特性資料 Specifications

油缸內徑	Bore of cylinder	mm	ø25	ø32	ø40	ø50	ø63
活塞桿徑	Piston rod diameter	mm	ø18	ø20	ø22.4	ø28	ø35
總行程	Total stroke	mm	25	25	30	34	40
受壓面積 拉入/推出	Pressure area pull/push	cm ²	2.37 / 4.91	4.9 / 8.04	8.63 / 12.57	13.47 / 19.63	21.55 / 31.17
理論夾持力	Theoretical clamp	30kg/cm ²	116	190	288	453	701
使用流體	Fluid	已濾清之標準液壓油 Filtered hydraulic oil					
最大操作壓力	Max operation pressure	70Kg/cm ²					
操作壓力範圍	Operation pressure range	5-50Kg/cm ²					
作動方式	Acting type	複動式 Double acting					

訂購標示法 Ordering Code

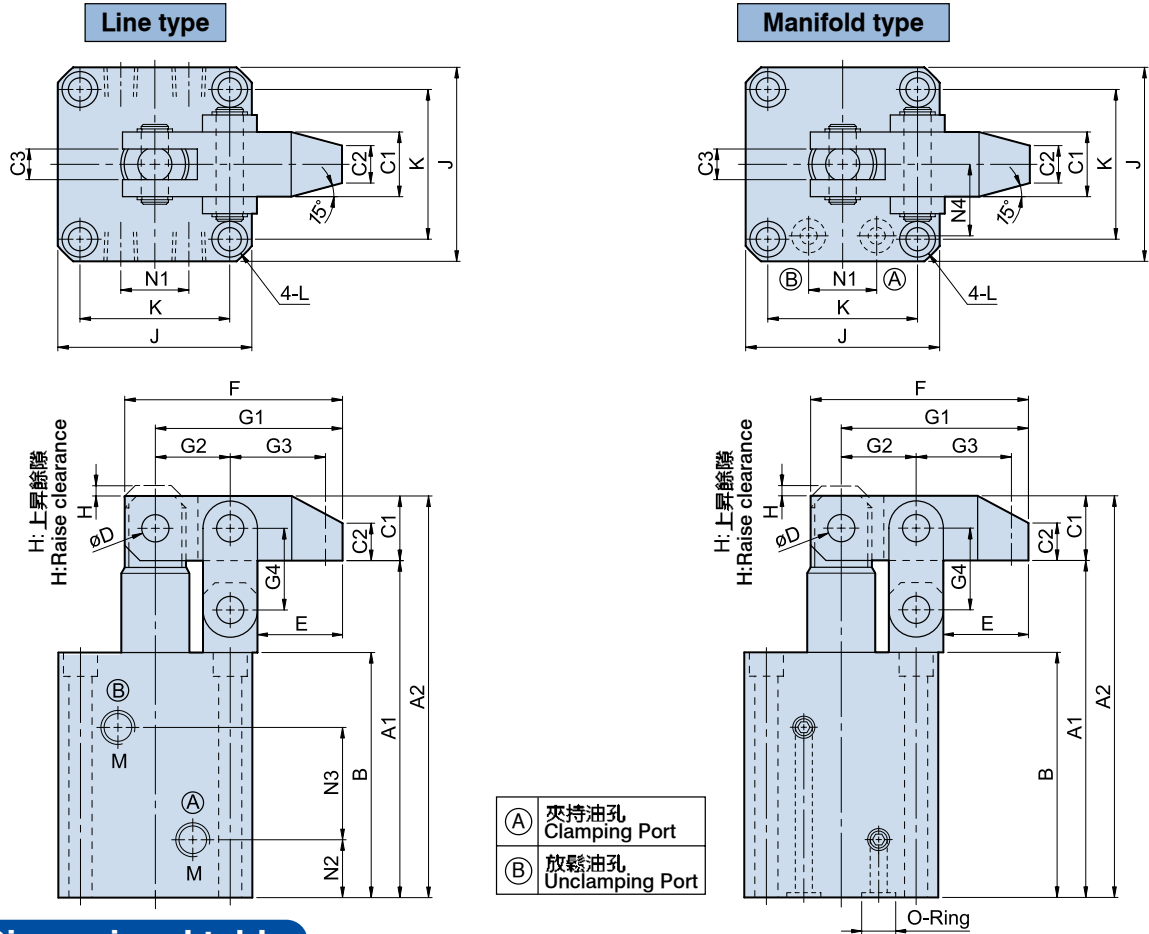


HLC 槓桿油壓缸



Hydraulic lever-type Cylinder

• Bore: $\phi 25\text{-}\phi 63\text{mm}$ • Pmax: 70kg/cm^2



Dimensional table

UNIT:mm

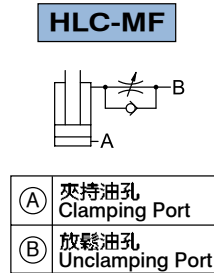
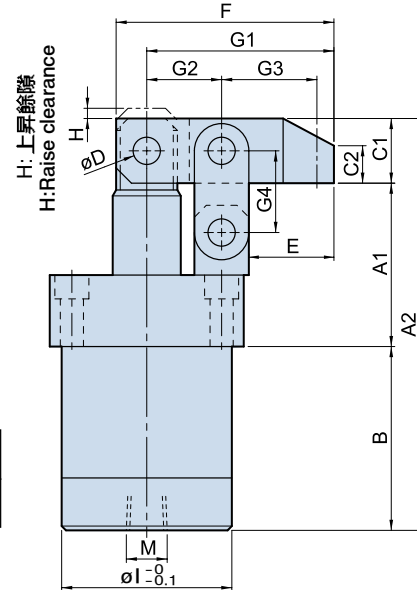
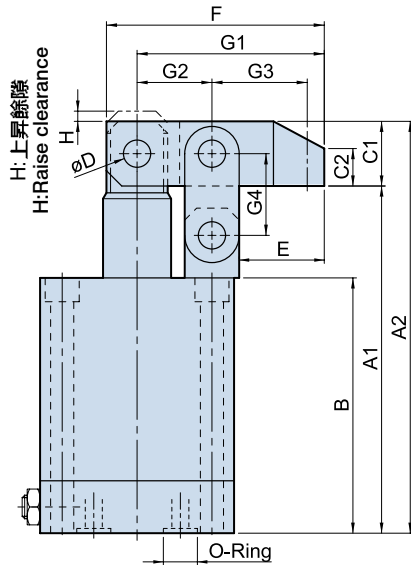
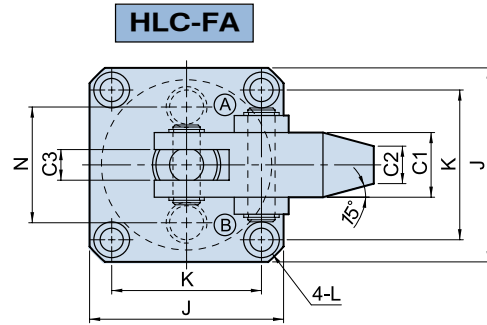
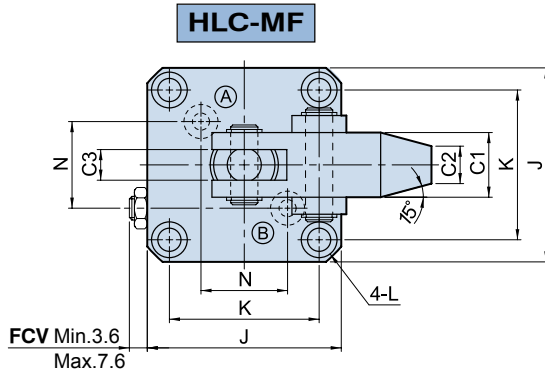
ITEM \ MODEL	HLC-25 HLC-M25	HLC-32 HLC-M32	HLC-40 HLC-M40	HLC-50 HLC-M50	HLC-63 HLC-M63
A1	103	112	122	137	155
A2	122	131	144.2	162.4	186.8
B	76	85	90	100	111
C1	□19	□19	□22.2	□25.4	□31.8
C2	11	11	13	15	19
C3	9	9	10	11	15
ϕD	$\phi 8$	$\phi 8$	$\phi 10$	$\phi 12$	$\phi 15$
E	25	25	30	35.5	43
F	64	64	77	90	110
G1	55	55	66	77	94
G2	22	22	26	30	36
G3	28	28	34	39	48
G4	24	24	29	33	39
H	3	3	4	4	4
J	55	57	69	75	96
K	42	44	52	58	75
L	$\phi 6.8\text{-}\phi 10.5 \times 6.5\text{D.}$	$\phi 6.8\text{-}\phi 10.5 \times 6.5\text{D.}$	$\phi 9\text{-}\phi 14 \times 9\text{D.}$	$\phi 9\text{-}\phi 14 \times 9\text{D.}$	$\phi 11\text{-}\phi 18 \times 11\text{D.}$
M	PT1/8	PT1/8	PT1/4	PT1/4	PT1/4
N1	18	22	26	32	38
N2	17	19	19	21.5	22
N3	33	38	40	45	52
N4	20	22	26	30	38
O-Ring	P7	P7	P8	P8	P9

HLC 槓桿油壓缸 MF油路板附調速/FA法蘭型



Hydraulic lever-type Cylinder MF.FA

• Bore: $\phi 25\text{-}\phi 63\text{mm}$ • Pmax: 70kg/cm^2



Dimensional table

UNIT:mm

ITEM	MODEL	MF25	MF32	MF40	MF50	FA25	FA32	FA40	FA50	FA63
A1		112	115	130	145	49	52	57	67	77
A2		131	134	152.2	170.4	131	134	152.2	170.4	194.8
B		85	88	98	108	63	63	73	78	86
C1		□19	□19	□22.2	□25.4	□19	□19	□22.2	□25.4	□31.8
C2		11	11	13	15	11	11	13	15	19
C3		9	9	10	11	9	9	10	11	15
ϕD		$\phi 8$	$\phi 8$	$\phi 10$	$\phi 12$	$\phi 8$	$\phi 8$	$\phi 10$	$\phi 12$	$\phi 15$
E		25	25	30	35.5	25	25	30	35.5	43
F		64	64	77	90	64	64	77	90	110
G1		55	55	66	77	55	55	66	77	94
G2		22	22	26	30	22	22	26	30	36
G3		28	28	34	39	28	28	34	39	48
G4		24	24	29	33	24	24	29	33	39
H		3	3	4	4	3	3	4	4	4
ϕl		—	—	—	—	$\phi 45$	$\phi 50$	$\phi 58$	$\phi 68$	$\phi 87$
J		55	57	69	75	55	57	69	75	96
K		42	44	52	58	42	44	52	58	75
L		$\phi 6.8\text{-}\phi 10.5 \times 6.5\text{D.}$		$\phi 9\text{-}\phi 14 \times 9\text{D.}$		$\phi 6.8\text{-}\phi 10.5 \times 6.5\text{D.}$		$\phi 9\text{-}\phi 14 \times 9\text{D.}$		$\phi 11\text{-}\phi 17 \times 11\text{D.}$
M		—	—	—	—	PT1/4	PT1/4	PT1/4	PT1/4	PT1/4
N		19	21	23	28	25	32	40	50	63
O-Ring		P7	P7	P9	P9	—	—	—	—	—

HLC 槓桿油壓缸 MF 油路板附調速

Manifold with flow control

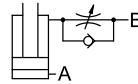
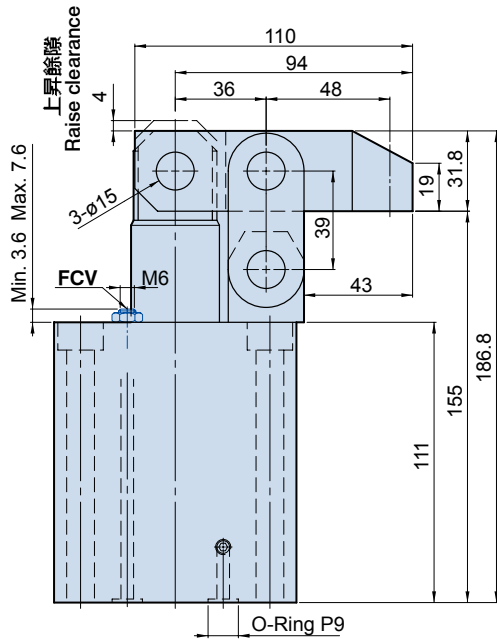
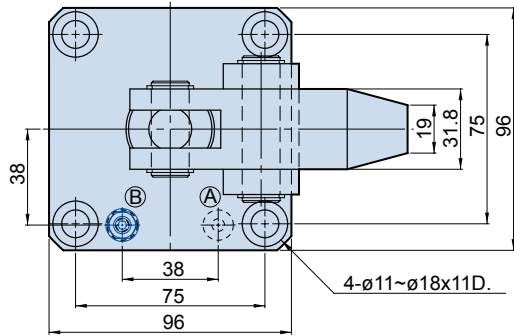


Hydraulic lever-type Cylinder MF

• Bore: $\phi 63\text{mm}$

• Pmax: 70kg/cm^2

HLC-MF63



Ⓐ	夾持油孔 Clamping Port
Ⓑ	放鬆油孔 Unclamping Port

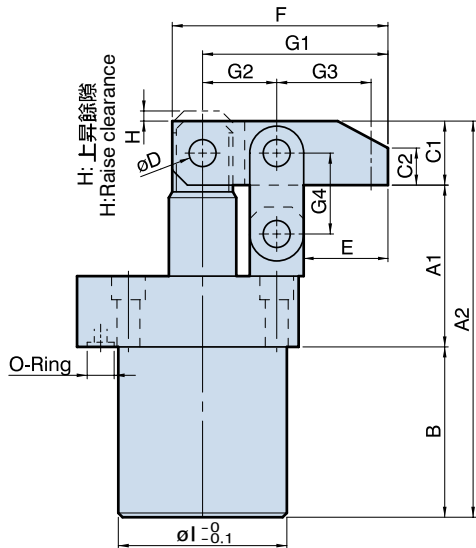
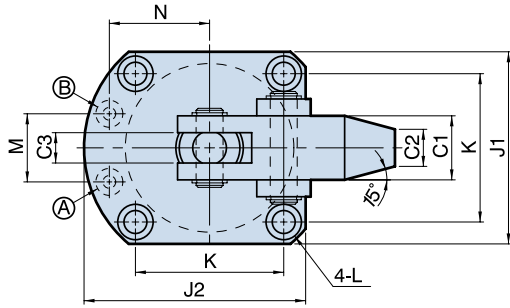


HLC 槓桿油壓缸 FAM 法蘭型油路板

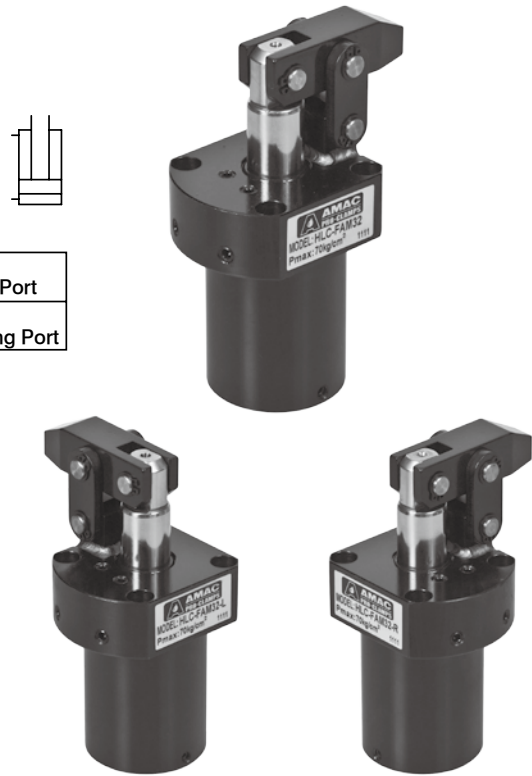


Hydraulic lever-type Cylinder FAM

• Bore: $\phi 25$ - $\phi 50$ mm • Pmax: 70kg/cm²



- (A) 夾持油孔
Clamping Port
- (B) 放鬆油孔
Unclamping Port



HLC-FAM Bore -L

HLC-FAM Bore -R

Dimensional table

UNIT:mm

ITEM \ MODEL	HLC-FAM25	HLC-FAM32	HLC-FAM40	HLC-FAM50
A1	49	52	57	67
A2	122	131	144.2	162.4
B	54	60	65	70
C1	□19	□19	□22.2	□25.4
C2	11	11	13	15
C3	9	9	10	11
ϕD	8	8	10	12
E	25	25	30	35.5
F	64	64	77	90
G1	55	55	66	77
G2	22	22	26	30
G3	28	28	34	39
G4	24	24	29	33
H	3	3	4	4
ϕI	$\phi 45$	$\phi 50$	$\phi 58$	$\phi 68$
J1	55	57	69	75
J2	64	65.5	79	87
K	42	44	52	58
L	$\phi 6.8$ - $\phi 10.5 \times 6.5D.$	$\phi 6.8$ - $\phi 10.5 \times 6.5D.$	$\phi 9$ - $\phi 14 \times 9D.$	$\phi 9$ - $\phi 14 \times 9D.$
M	20	22	26	30
N	28	29	34.5	39
O-Ring	P6	P6	P9	P9

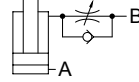
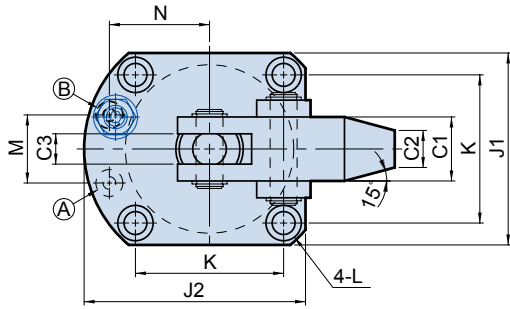
HLC 槓桿油壓缸 FCM 法蘭型油路板附調速

Flange type manifold with flow control



Hydraulic lever-type Cylinder FCM

• Bore: $\phi 25$ - $\phi 63$ mm • Pmax: 70kg/cm²

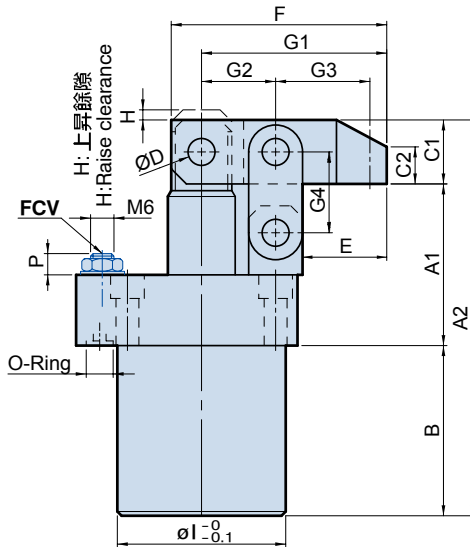


- (A) 夾持油孔
Clamping Port
- (B) 放鬆油孔
Unclamping Port



HLC-FCM Bore -L

HLC-FCM Bore -R



Dimensional table

UNIT:mm

ITEM	MODEL	HLC-FCM25	HLC-FCM32	HLC-FCM40	HLC-FCM50	HLC-FCM63
A1		49	52	57	67	77
A2		122	131	144.2	162.4	186.8
B		54	60	65	70	78
C1		□19	□19	□22.2	□25.4	□31.8
C2		11	11	13	15	19
C3		9	9	10	11	15
ϕD		8	8	10	12	15
E		25	25	30	35.5	43
F		64	64	77	90	110
G1		55	55	66	77	94
G2		22	22	26	30	36
G3		28	28	34	39	48
G4		24	24	29	33	39
H		3	3	4	4	4
ϕl		$\phi 45$	$\phi 50$	$\phi 58$	$\phi 68$	$\phi 81$
J1		55	57	69	75	96
J2		64	65.5	79	87	112
K		42	44	52	58	75
L		$\phi 6.8$ - $\phi 10.5$ x6.5D.	$\phi 6.8$ - $\phi 10.5$ x6.5D.	$\phi 9$ - $\phi 14$ x9D.	$\phi 9$ - $\phi 14$ x9D.	$\phi 11$ - $\phi 17$ x11D.
M		20	22	26	30	36
N		28	29	34.5	39	50
O-Ring		P6	P6	P9	P9	P9
P Min.		7.1	4.1	4.1	3.6	3.6
P Max.		10.1	8.1	8.1	7.6	7.6